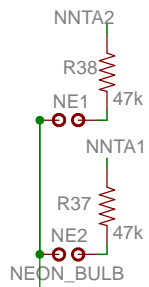
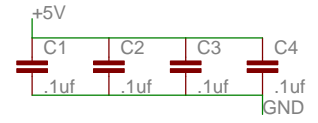
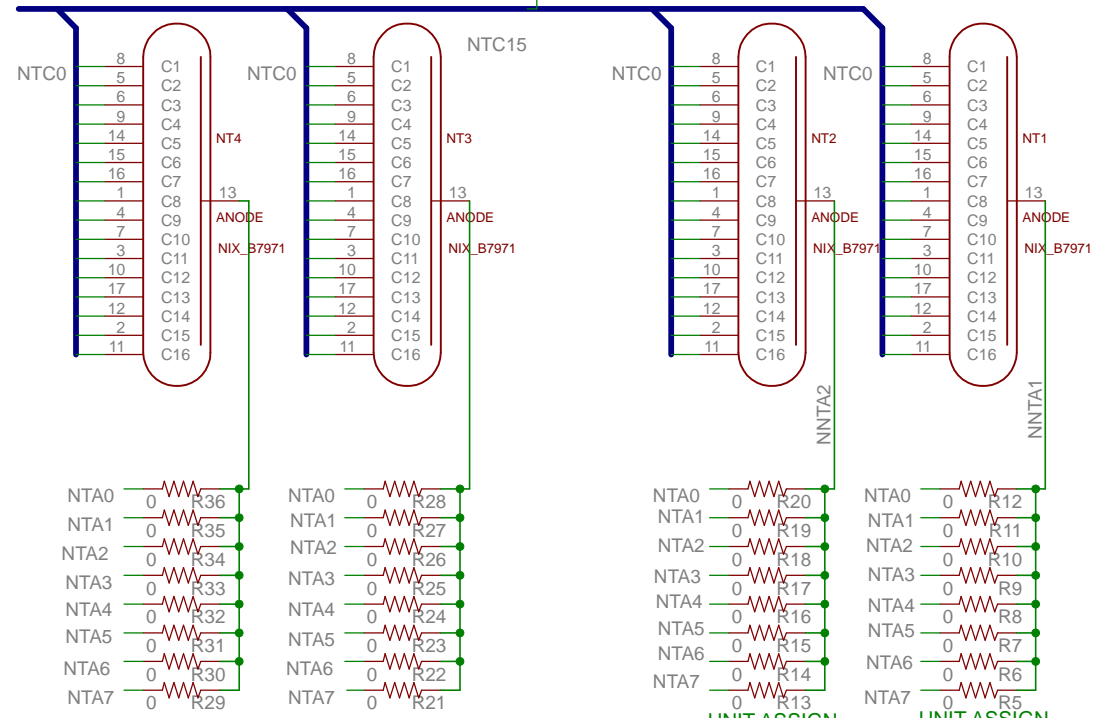


J1			
PS\$1	1	NTA0	
PS\$2	2	NTA1	
PS\$3	3	NTA2	
PS\$4	4	NTA3	
PS\$5	5	NTA4	
PS\$6	6	NTA5	
PS\$7	7	NTA6	
PS\$8	8	NTC0	NTC[0..15]
PS\$9	9	NTC1	
PS\$10	10	NTC2	
PS\$11	11	NTC3	
PS\$12	12	NTC4	
PS\$13	13	NTC5	
PS\$14	14	NTC6	
PS\$15	15	NTC7	
PS\$16	16	NTC8	
PS\$17	17	NTC9	
PS\$18	18	NTC10	
PS\$19	19	NTC11	
PS\$20	20		LED0_OUT
PS\$21	21		
PS\$22	22	NTC12	IR_RX
PS\$23	23	NTC13	
PS\$24	24	NTA7	
PS\$25	25		
PS\$26	26		
PS\$27	27		
PS\$28	28		
PS\$29	29		
PS\$30	30	NTC14	+5V
PS\$31	31		
PS\$32	32		
PS\$33	33		
PS\$34	34	NTC15	

Design rules (for gold phoenix)
 Hole size: 15mil
 Trace/space size: 7mil
 No Silkscreen on Bottom

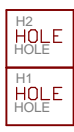


J2			
NTA0	1	PS\$1	
NTA1	2	PS\$2	
NTA2	3	PS\$3	
NTA3	4	PS\$4	
NTA4	5	PS\$5	
NTA5	6	PS\$6	
NTA6	7	PS\$7	
NTC0	8	PS\$8	NTC[0..15]
NTC1	9	PS\$9	
NTC2	10	PS\$10	
NTC3	11	PS\$11	
NTC4	12	PS\$12	
NTC5	13	PS\$13	
NTC6	14	PS\$14	
NTC7	15	PS\$15	
NTC8	16	PS\$16	
NTC9	17	PS\$17	
NTC10	18	PS\$18	
NTC11	19	PS\$19	
	20	PS\$20	LED0_IN
	21	PS\$21	
	22	PS\$22	
	23	PS\$23	
	24	PS\$24	IR_RX
	25	PS\$25	NTC12
	26	PS\$26	NTC13
	27	PS\$27	NTA7
	28	PS\$28	
	29	PS\$29	
	30	PS\$30	NTC14
	31	PS\$31	
	32	PS\$32	+5V
	33	PS\$33	
	34	PS\$34	NTC15



NTA	Resistor	Value	NTA	Resistor	Value
NTA0	R36	0	NTA0	R28	0
NTA1	R35	0	NTA1	R27	0
NTA2	R34	0	NTA2	R26	0
NTA3	R33	0	NTA3	R25	0
NTA4	R32	0	NTA4	R24	0
NTA5	R31	0	NTA5	R23	0
NTA6	R30	0	NTA6	R22	0
NTA7	R29	0	NTA7	R21	0

UNIT ASSIGN (INSTALL ONE)
 UNIT ASSIGN (INSTALL ONE)



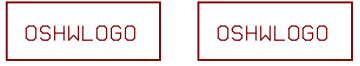
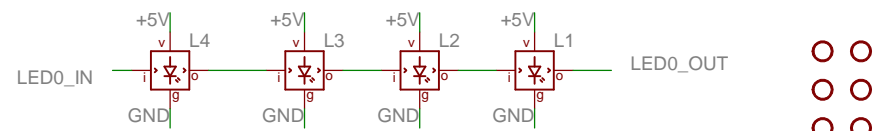
Nixie Display 4 tube B7971 board

(c) 2014 Cogwheel, Inc.
 cogwheelcircuitworks.com

TITLE: NixieDisp7971x4-C

Document Number: _____ REV: _____

Date: 11/26/2014 2:49:55 PM Sheet: 1/1



Graphics
 GRR
 cwilogo
 Mounting Holes